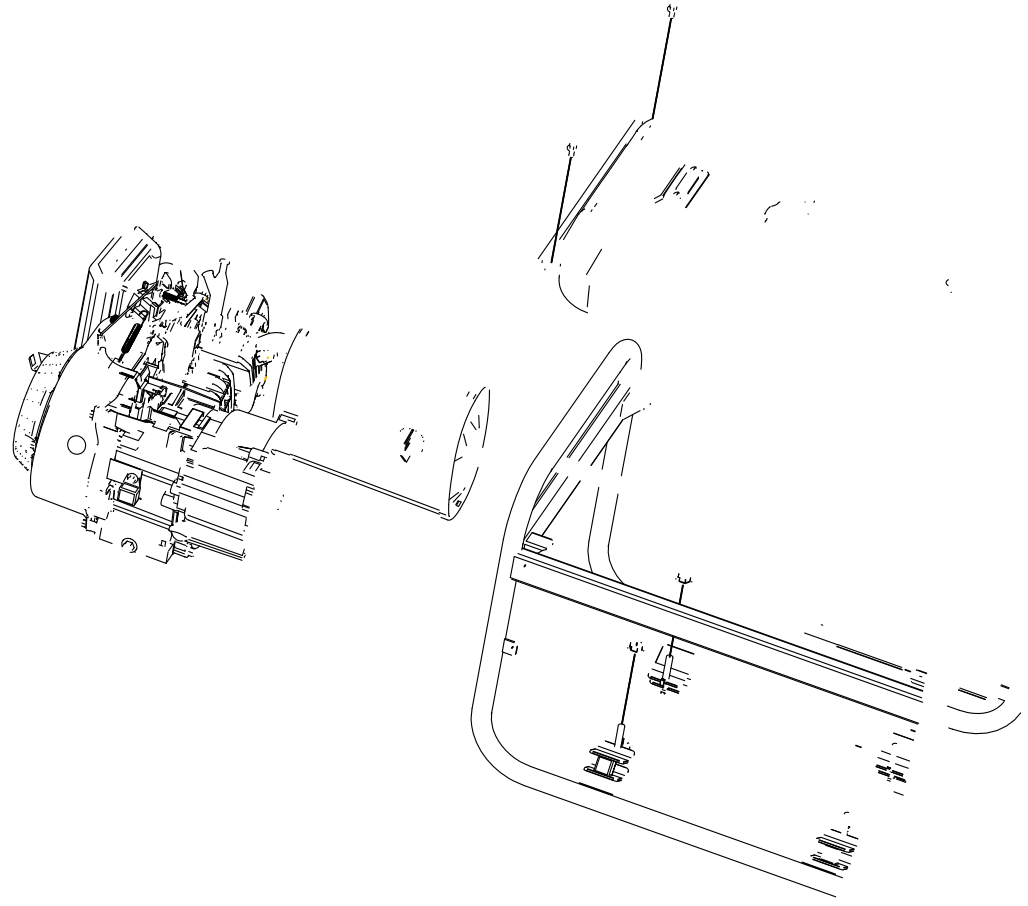


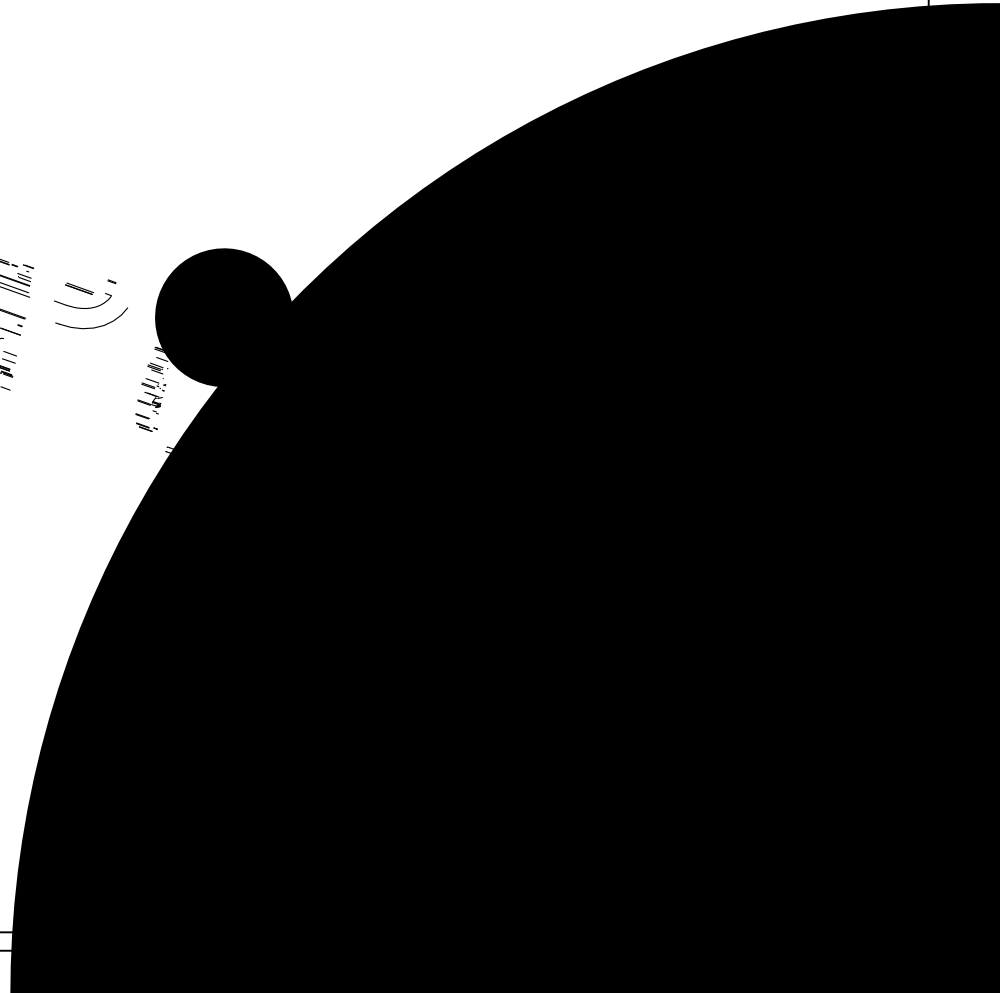
1 2 3 4 5 6 7 8

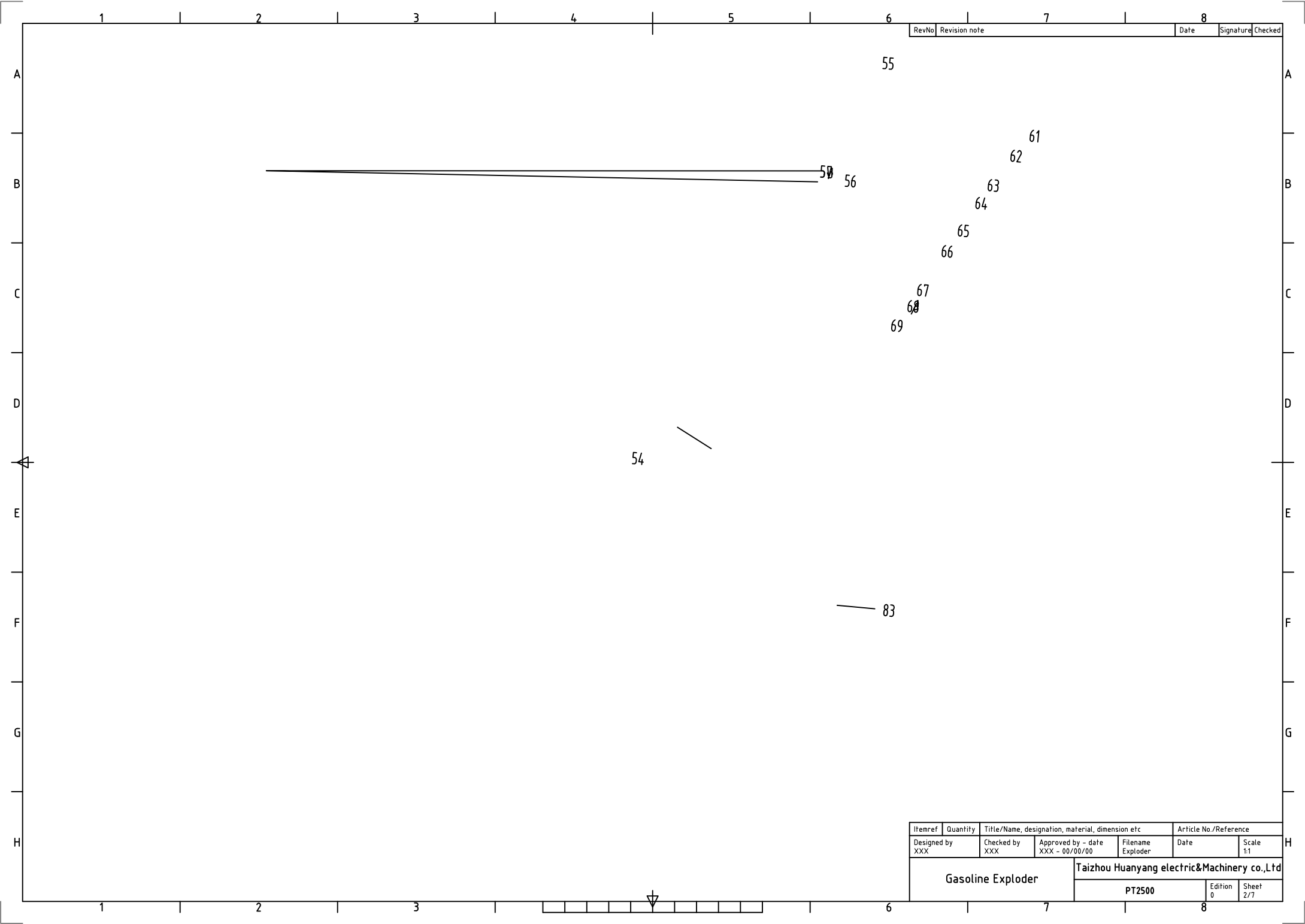
| RevNo | Revision note | Date | Signature | Checked |
|-------|---------------|------|-----------|---------|
|-------|---------------|------|-----------|---------|

A
B
C
D
E
F
G
H



1 2 3 4 5 6 7 8



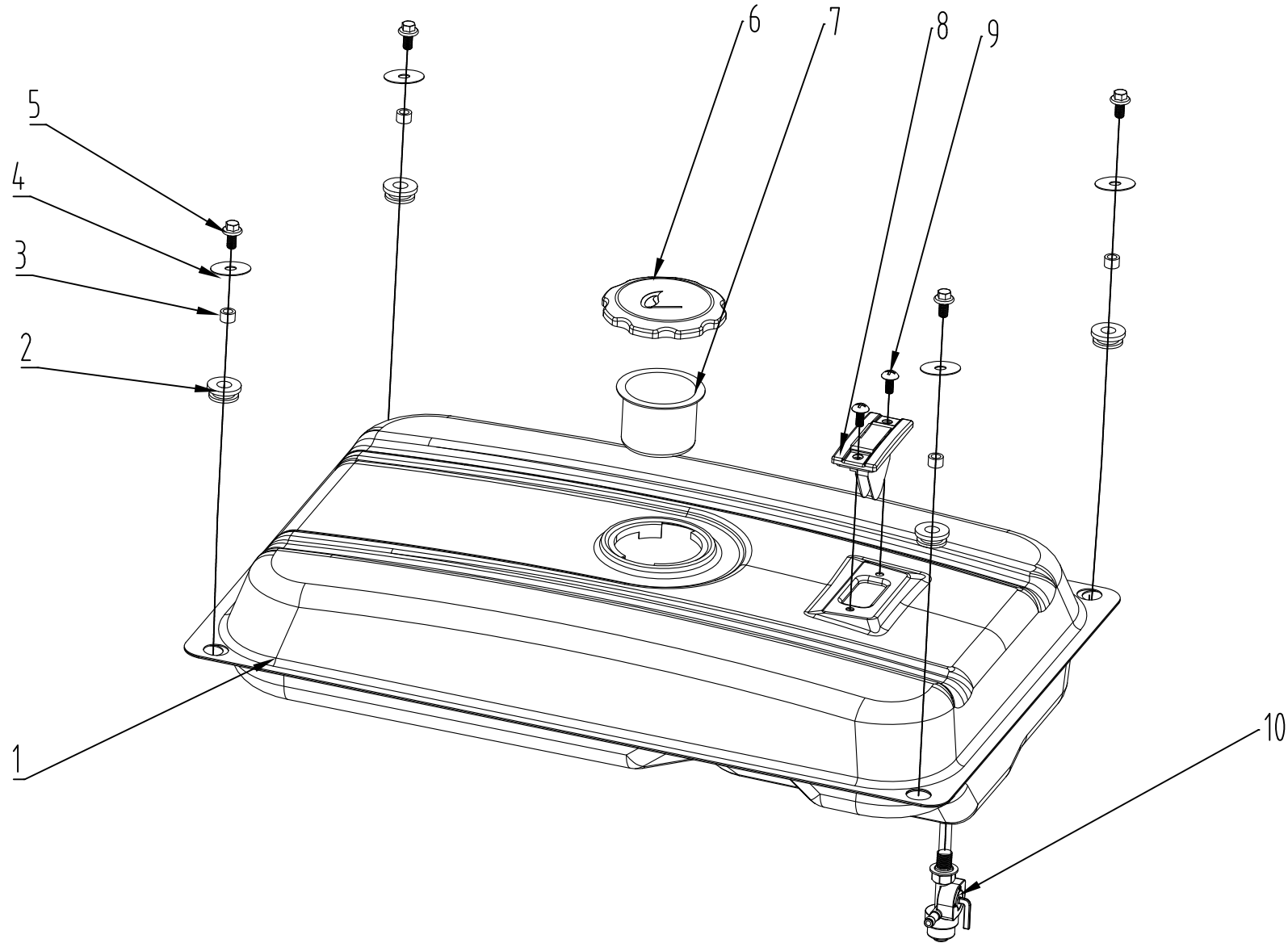


| | | | | |
|-------|---------------|------|-----------|---------|
| RevNo | Revision note | Date | Signature | Checked |
|-------|---------------|------|-----------|---------|

| | | | |
|--------------------|-------------------|--|---|
| Itemref | Quantity | Title/Name, designation, material, dimension etc | Article No./Reference |
| Designed by XXX | Checked by XXX | Approved by - date XXX - 00/00/00 | Filename Exploder |
| Date | | Scale 1:1 | |
| Gasoline Exploder | | | Taizhou Huanyang electric&Machinery co.,Ltd |
| PT2500 | | | Edition 0 |
| | | | Sheet 2/7 |

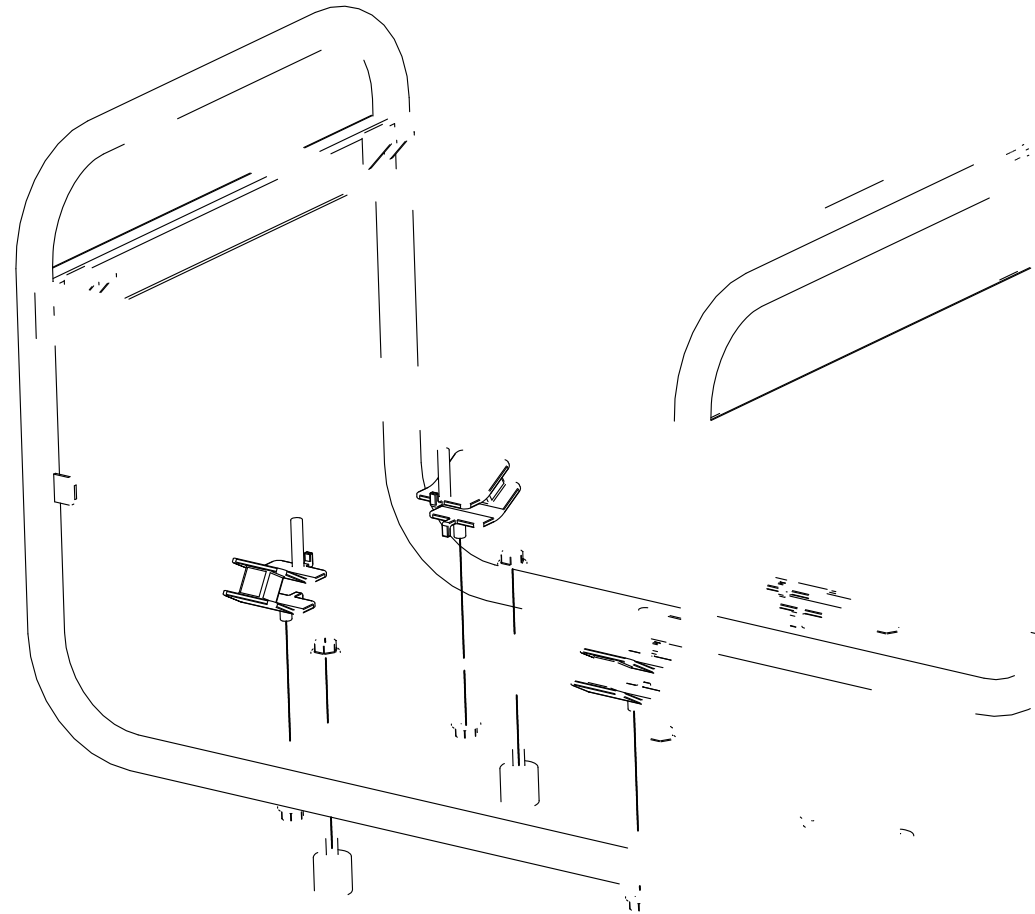
Engine Components list for PT2500 3/7

| No | English Name | Number | No | English Name | Number |
|-----------|-------------------------|---------------|-----------|-------------------------------|---------------|
| 1 | Flange Bolt M6x8 | 3 | 43 | Air cleaner gasket | 1 |
| 2 | Recoil starter | 1 | 44 | Carburetor | 1 |
| 3 | Flange Bolt M6x12 | 4 | 45 | Carburetor gasket | 1 |
| 4 | Fan Cover | 1 | 46 | Carburetor Insulator | 1 |
| 5 | Flywheel Nut M14x1.5 | 1 | 47 | Carburetor Insulator Gasket | 1 |
| 6 | Starting Cup | 1 | 48 | Stud Bolt M6x90 | 2 |
| 7 | Fan | 1 | 49 | Cylinder head | 1 |
| 8 | Flywheel | 1 | 50 | Cylinder head gasket | 1 |
| 9 | Governor Pull Rod | 1 | 51 | Intake Valve | 1 |
| 10 | Small Governor Spring | 1 | 52 | Exhaust Valve | 1 |
| 11 | Governor Arm | 1 | 53 | Valve Lifter | 2 |
| 12 | Set Governor Spring | 1 | 54 | Camshaft | 1 |
| 13 | Flange Nut M6 | 1 | 55 | Breather tube | 1 |
| 14 | Gasket 6 | 1 | 56 | Exhaust Valve Hat | 1 |
| 15 | Governor Lever | 1 | 57 | Exhaust Valve Spring Retainer | 1 |
| 16 | Square Bolt M6x21 | 1 | 58 | Intake Valve Spring Retainer | 1 |
| 17 | Set Governing base | 1 | 59 | Valve Spring | 2 |
| 18 | Oil seal | 2 | 60 | Sparkplug | 1 |
| 19 | Flywheel Plate | 1 | 61 | Flange Bolt M6x12 | 4 |
| 20 | Drain Plug | 2 | 62 | Cylinder head cover | 1 |
| 21 | Drain Plug Gasket | 2 | 63 | Cylinder head cover gasket | 1 |
| 22 | Flange Bolt M6x12 | 1 | 64 | Rocker Nut | 2 |
| 23 | Interdiction Organ | 1 | 65 | Rocker adjust Nut | 2 |
| 24 | Crankcase | 1 | 66 | Rocker arm | 2 |
| 25 | Crankcase Pin φ8x14 | 2 | 67 | Rocker Bolt | 2 |
| 26 | Oil Sensor | 1 | 68 | Push-Rod Keep Frame | 1 |
| 27 | Flange Bolt M6x12 | 2 | 69 | Push-Rod | 2 |
| 28 | Bearing 6205 | 2 | 70 | Exhaust pipe Gasket | 1 |
| 29 | Governor Gear | 1 | 71 | Lead Wind Cover | 1 |
| 30 | Flywheel Key | 1 | 72 | Flange Bolt M6x8 | 2 |
| 31 | Connecting rod Cover | 1 | 73 | Stud bolt M8x32 | 2 |
| 32 | Connecting rod Bolt | 2 | 74 | Piston pin clip | 2 |
| 33 | Crankcase Gasket | 1 | 75 | Connecting rod body | 1 |
| 34 | Oil ruler | 1 | 76 | Muffler | 1 |
| 35 | Oil ruler Gasket | 1 | 77 | Nut M8 | 2 |
| 36 | High Crankcase cover | 1 | 78 | Top compression ring | 1 |
| 37 | Flange Bolt M8x33 | 6 | 79 | Second compression ring | 1 |
| 38 | Flange Bolt M6x25 | 2 | 80 | Oil ring | 1 |
| 39 | High Voltage Bag | 1 | 81 | Piston pin | 1 |
| 40 | Cylinder Head Pin φ8x16 | 2 | 82 | Piston | 1 |
| 41 | Flange Bolt M8x55 | 4 | 83 | Crankshaft | 1 |
| 42 | Air Cleaner | 1 | | | |



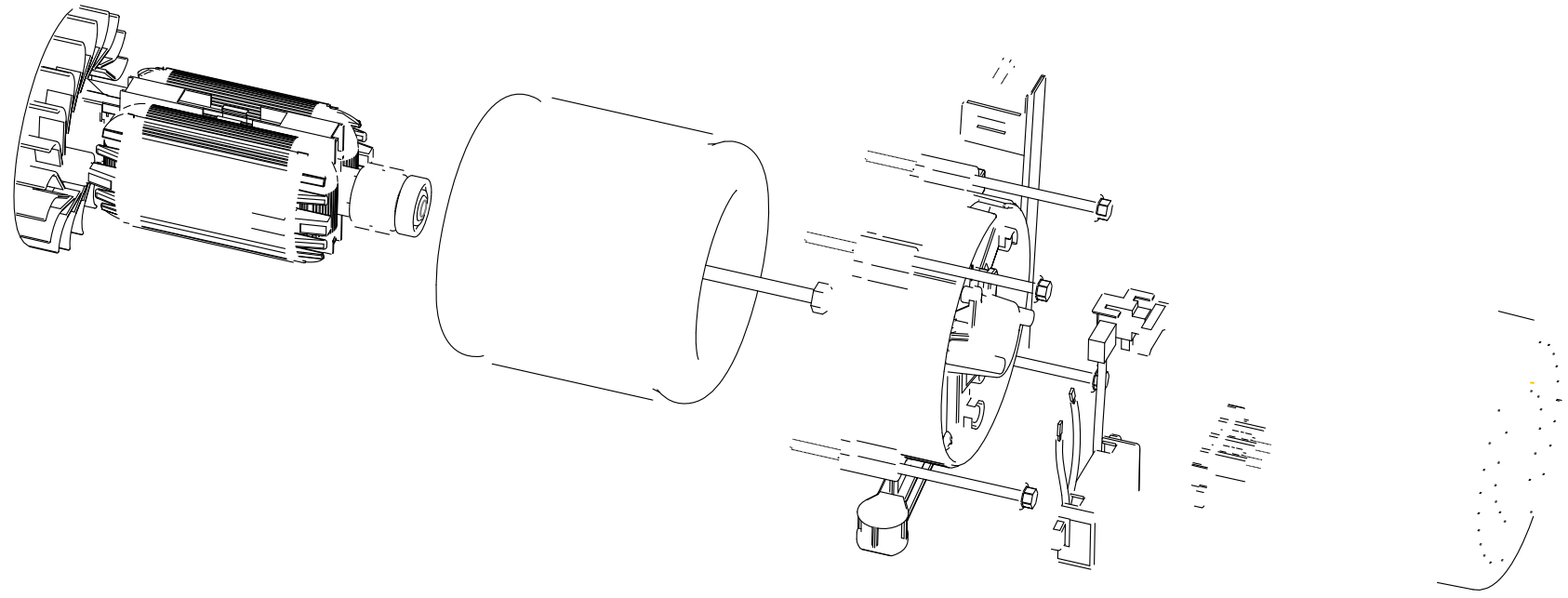
| | | | | | |
|----|---------------|----|-----------------|----|-------------|
| 4 | Iron gasket | 8 | Fuel Meter | | |
| 3 | Iron cover | 7 | Filter net | | |
| 2 | Rubber gasket | 6 | Fuel tank Cover | 10 | Fuel switch |
| 1 | Fuel tank | 5 | Bolt M6×25 | 9 | Bolt M5×12 |
| No | English | No | English | No | English |

| Itemref | Quantity | Title/Name, designation, material, dimension etc | | | Article No./Reference | |
|--------------------------|-------------------|--|----------------------|---|-----------------------|--------------|
| Designed by XXX | Checked by XXX | Approved by - date XXX - 00/00/00 | Filename Exploder | Date | Scale 1:1 | |
| Fuel tank parts Exploder | | | | Taizhou Huanyang electric&Machinery co.,Ltd | | |
| | | | | PT2500 | Edition 0 | Sheet 4/7 |



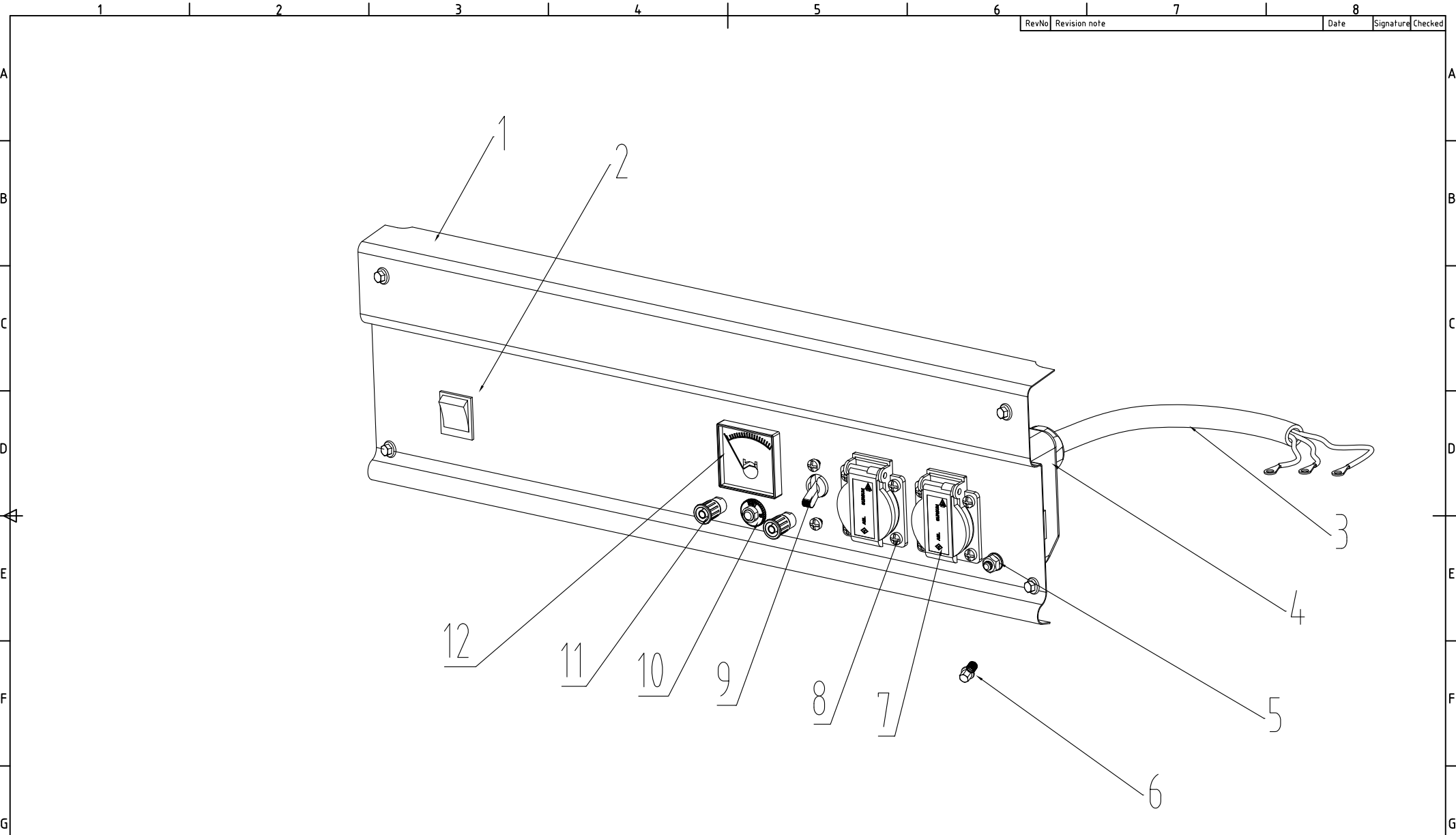
| | | | | | |
|--------|-------------|--------|------------|--------|-------------|
| 2 | Guard plate | 4 | Shake Feet | 6 | Rubber feet |
| 1 | Frame | 3 | Bolt M6×12 | 5 | Nut M8 |
| Number | English | Number | English | Number | English |

| Itemref | Quantity | Title/Name, designation, material, dimension etc | | | Article No./Reference | |
|----------------------|-------------------|--|----------------------|---|-----------------------|--------------|
| Designed by XXX | Checked by XXX | Approved by - date XXX - 00/00/00 | Filename Exploder | Date | Scale 1:1 | |
| Frame parts Exploder | | | | Taizhou Huanyang electric&Machinery co.,Ltd | | |
| | | | | PT2500 | Edition 0 | Sheet 5/7 |



| | | | | | | | | | | | |
|----|------------|--------|----|----------------------------|--------|----|----------------------------|--------|----|--------------------|--------|
| 4 | Hang feet | 1 | 8 | Carbon brush Bolt M5×16 | 1 | 12 | Back Cover bolt M5×8 | 2 | 16 | Rotor bolt | 1 |
| 3 | Bolt M6×12 | 1 | 7 | Carbon brush | 1 | 11 | Back Cover | 1 | 15 | Generator End Bell | 1 |
| 2 | Stator | 1 | 6 | Stator bolt | 4 | 10 | Junction Box Bolt M5×12 | 2 | 14 | AVR | 1 |
| 1 | Rotor | 1 | 5 | Bolt M8×16 | 2 | 9 | Junction Box | 1 | 13 | AVR Bolt M5×12 | 2 |
| No | English | Number | No | English | Number | No | English | Number | No | English | Number |

| | | | | | | |
|-----------------------------|-------------------|--|---|--------------|-----------------------|--|
| Itemref | Quantity | Title/Name, designation, material, dimension etc | | | Article No./Reference | |
| Designed by XXX | Checked by XXX | Approved by - date XXX - 00/00/00 | Filename Exploder | Date | Scale 1:1 | |
| Electrical machine Exploder | | | Taizhou Huanyang electric&Machinery co.,Ltd | | | |
| | | | PT2500 | Edition 0 | Sheet 6/7 | |



| | | | | | |
|--------|------------------|--------|------------|--------|---------------|
| 5 | Earth bolt | 10 | DC Breaker | | |
| 4 | Panel back cover | 9 | AC Breaker | | |
| 3 | Inlet wire | 8 | Bolt M4×12 | | |
| 2 | Switch | 7 | AC Socket | 12 | Voltage meter |
| 1 | Control panel | 6 | Bolt M6×12 | 11 | DC Terminal. |
| Number | English | Number | English | Number | English |

| Itemref | Quantity | Title/Name, designation, material, dimension etc | | | Article No./Reference | |
|------------------------|-------------------|--|---|--------------|-----------------------|--|
| Designed by XXX | Checked by XXX | Approved by - date XXX - 00/00/00 | Filename Exploder | Date | Scale 1:1 | |
| Control panel Exploder | | | Taizhou Huanyang Electric & machinery Co.,Ltd | | | |
| | | | PT2500 | Edition 0 | Sheet 7/7 | |

| | | | | |
|------------------------|--|----------------------------------|--------------------------------------|---------------|
| 14 | | AVR | AVR | 8028815653107 |
| 39 | | bobina | coil | 8028815941327 |
| from 44 to 47 | | carburatore | carburetor including gaskets | 8028815941501 |
| 1+2+16 | | alternatore statore + rotore | alternator (stator + rotor assembly) | 8028815941815 |
| 42 | | filtro aria completo di supporto | air cleaner assembly | 8028815942096 |
| 50 | | guarnizione testata | cylinder head gasket | 8028815942430 |
| 12 | | presa 16A generatore 4T | AC socket 16A | 8028815942935 |
| Control panel: 20 | | Interruttore corrente AC ON/OFF | AC breaker | 8028815943000 |
| 2 | | interruttore ON/OFF | ON/OFF switch | 8028815943093 |
| 10 | | rubinetto carburante | fuel switch | 8028815943796 |
| 9 | | interruttore magnetotermico | AC breaker | 8028815944212 |
| 12 | | voltmetro analogico | voltage meter | 8028815944816 |
| from 1 to 10 | | serbatoio | Fuel tank assembly | 8028815945165 |
| Fuel tank: from 1 to 9 | | Serbatoio completo | Full fuel tank assembly | 8028815945172 |
| 4 | | | | |
| | | | | |
| | | | | |